

# HY-03DTD Fitting & Configuration

## Enabling Dial Tone Disconnect on the HY-03

On the rear panel of the HY-03 is a set of 4 DIP switches. These switches are used to configure the HY-03 in the modes that you want it to operate. A label on the top panel of the unit shows the orientation of the switches :

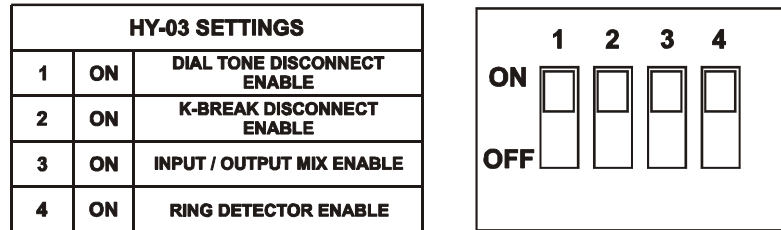


Figure 1-1 : Configuration Settings Switches

To enable the dial tone disconnect option, set switch SW1 to ON. When enabled (ON), the HY-03 will automatically disconnect from the telephone line when an appropriate dial tone is detected. The rear panel remote port 'PERMANENT' / 'MOMENTARY' push switch needs to be set to the out position.

## Configuring the Dial Tone Disconnect Board

To configure the dial tone disconnect board, the appropriate jumper(s) JP1-JP16 on the Dial Tone Disconnect PCB must be fitted to enable detection of the required tone(s) in the country in which the HY-03 is being used, or for the equipment to which the HY-03 is to be connected. For example, to enable the HY-03 to detect the dial tone in Finland, set the jumpers for JP1, JP2 and JP3.

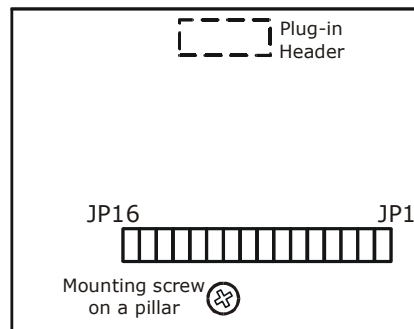


Figure 1-2 : Jumper settings on the HY-03DTD board

See Table 1-1 below for a list of the tones currently implemented.

Country or Equipment Type	Frequencies	Type	Details	Jumper(s) set on JP...
Austria	440Hz	Continuous	-	1
Avaya PBX	400Hz	Cadence	375ms on, 375ms pause	2 + 3 + 4 + 5
Belgium	450Hz	Continuous	-	2
Bulgaria	425Hz	Cadence	250ms on, 750ms pause, 750ms on, 1000ms pause	1 + 2
Cyprus	350Hz and 450Hz	Continuous	-	3
Czech Republic	425Hz	Continuous	-	1 + 3
Denmark	425Hz	Continuous	-	2 + 3
Finland	425Hz	Continuous	-	1 + 2 + 3
France	440Hz	Continuous	-	4
Germany	425Hz	Continuous	-	1 + 4
Greece	440Hz	Continuous	-	2 + 4
Hungary	440Hz	Continuous	-	1 + 2 + 4
Iceland	425Hz	Continuous	-	3 + 4
India	400Hz	Cadence	750ms on, 750ms pause	1 + 3 + 4 + 5
Ireland	400Hz and 450Hz	Continuous	-	1 + 3 + 4
Israel	400Hz	Continuous	-	1 + 4 + 5
Italy	425Hz	Cadence	200ms on, 200ms pause, 600ms on, 1000ms pause	2 + 3 + 4

Italy2	425Hz	Cadence	200ms on, 200ms pause	1 + 2 + 3 + 4 + 5
Italy PBX	425Hz	Cadence	500ms (+-20ms) on, 500ms (+-20ms) off	6
Japan	400Hz	Continuous	-	2 + 4 + 5
Luxembourg	425Hz	Continuous	-	1 + 2 + 3 + 4
Netherlands	450Hz	Continuous	-	5
Norway	425Hz	Continuous	-	1 + 5
Poland	425Hz	Continuous	-	2 + 5
Portugal	425Hz	Continuous	-	1 + 2 + 5
South Korea	350Hz and 440Hz	Continuous	-	1 + 2 + 4 + 5
Spain	425Hz	Continuous	-	3 + 5
Sweden	425Hz	Continuous	-	1 + 3 + 5
Switzerland	425Hz	Continuous	-	2 + 3 + 5
Taiwan	350Hz and 440Hz	Continuous	-	3 + 4 + 5
United Kingdom	350Hz and 440Hz	Continuous & Cadence	750ms on, 750ms pause	1 + 2 + 3 + 5
UK PBX	425Hz	Cadence	480 ms on, 480ms pause	6 + 1
United States	440Hz and 480Hz	Continuous	-	4 + 5

**Table 1-1 : Supported Dial Tone Details**

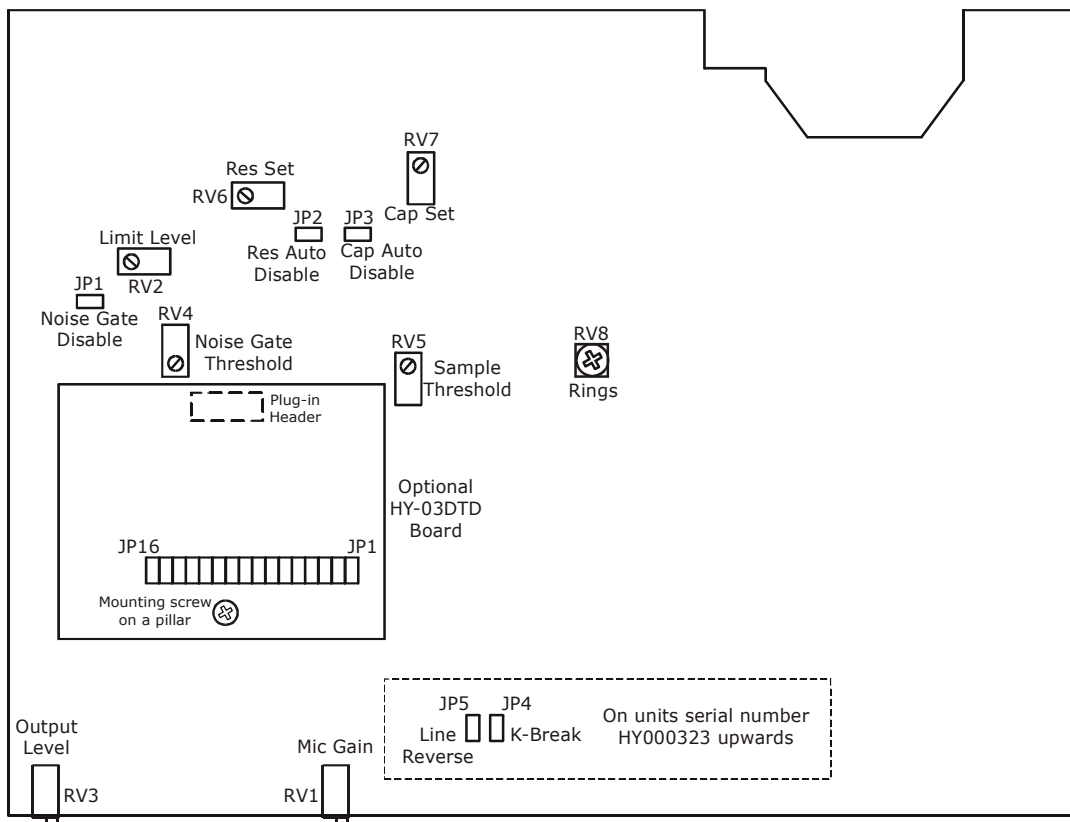
The unit can be programmed with other settings, so please contact us if you need the settings for a different country to be implemented. In this case, it would be useful to have an audio recording of the dial-tone and a specification of the dial tone parameters.

### Fitting the HY-03DTD Board

**Warning :** The power must be switched off at the supply or the power lead must be disconnected before attempting to open the unit. Removal of the cover can expose dangerous voltages.

**Warning :** The telephone line plug should be disconnected from the telecommunications network exchange line before removing the cover.

To open the HY-03, simply remove the 4 screws in the corners of the rear panel. The rear panel and main PCB will slide backwards out of the metal chassis.



**Figure 1-3 : HY-03 Preset Controls and Alignments**

Fit the HY-03DTD board onto the main HY-03 PCB as shown above. Make sure that there is a secure and firm connection between the plug-in headers, and fix the supplied threaded M3 x 12mm pillar between the two boards using the supplied M3 x 6mm pan head posidrive screws (one top and one bottom).

Then, reinsert the main HY-03 PCB back into the chassis. When re-inserting the main PCB, ensure that the PCB edges are in the runners inside the chassis and also that the front panel LED and divert button are in the correct place in the front panel. The HY-03 should now automatically detect the dial-tone.

If you have any problems, contact technical support on [technical.support@sonifex.co.uk](mailto:technical.support@sonifex.co.uk)

V1.05 HY-03DTD handbook © Sonifex Ltd, 2019

Sonifex Ltd, 61, Station Road, Irthlingborough, Northants, NN9 5QE, UK

T: +44 (0)1933 650 700 F: +44 (0)1933 650 726 E: [technical.support@sonifex.co.uk](mailto:technical.support@sonifex.co.uk) I: [www.sonifex.co.uk](http://www.sonifex.co.uk)